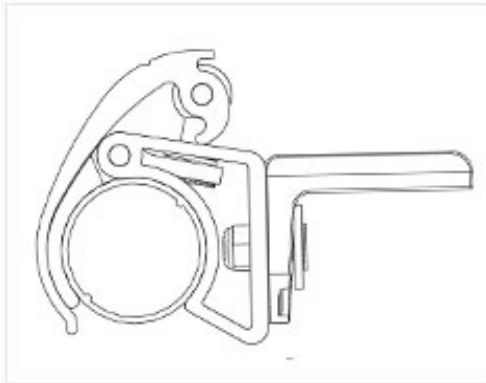
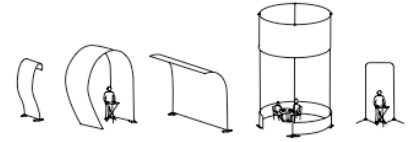


What is new?



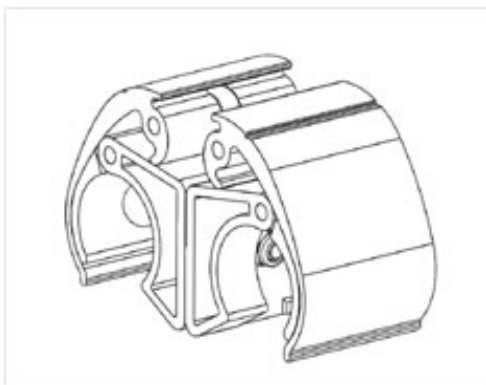
Maxibit Stage holder

The new Maxibit Stage holder is a heavy duty clamp for your Stage. The clamp is on a 360 degree hinge meaning big Stages are easy to set up and different shapes and forms are possible.



Maxibit Stage hanger

The new Stage hanger is built from aluminium and is a heavy duty clamp. It allows you to create great stage forms and hang them easier than ever before.



Maxibit Stage holder (back-to-back)

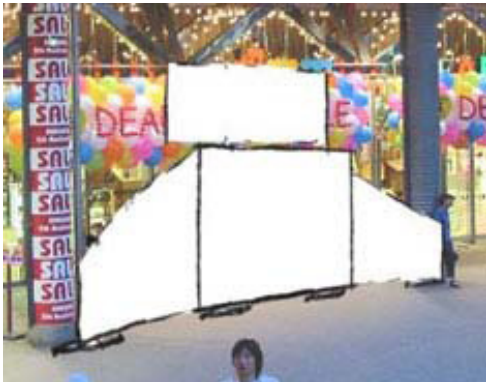
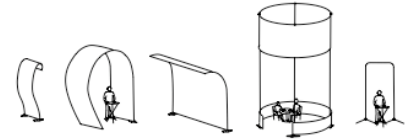
The Maxibit Stage holder (back-to-back) is effectively two Maxibit holders joined together. They allow you to connect two poles together and in different directions. Create different shapes or make a layered effect easily.



New possibilities

Using the new holder you can attach it to the wall or anything to Stage poles. Try attaching TVs, neon signs or anything that takes your fancy!

What can we make?



Innovative Diagonal Stages

Break the mould and start selling outside the square! In a world full with square shaped pop-ups its refreshing to know that the new Stage holder will help you get a competitive advantage.



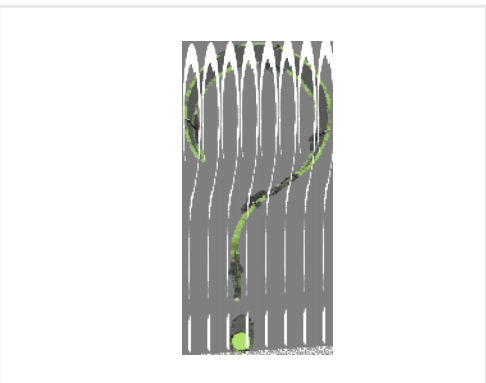
Gorgeous hanging stages

The new Stage hanger lets you show your customers brand from a distance high above. It makes it easy to hang almost any Stage form from the ceiling. Stand above the crowd... high above!



Amazing combinations

By using the Stage holder and Stage hanger in combination you can create great diagonal forms and different shapes that then hang above the crowd. Your booth doesn't always have to touch the ground.



It's your imagination

When Stage is this flexible, it is entirely up to you what you create. In the past, rectangle shapes have been the standard but not anymore - the revolution is here!